

BLADE DIA. \_\_\_\_\_

BORE \_\_\_\_\_

BOLT HOLE DIA. \_\_\_\_\_

BOLT CIRCLE DIA. \_\_\_\_\_

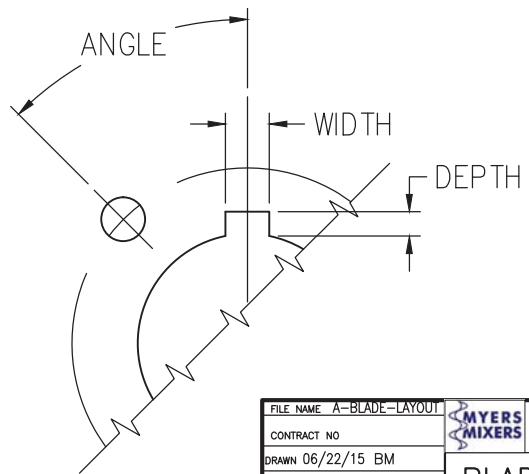
NO. OF BOLT HOLES \_\_\_\_\_

KEYWAY(IF APPLICABLE)

WIDTH \_\_\_\_\_

DEPTH \_\_\_\_\_

ANGLE \_\_\_\_\_



FILE NAME A-BLADE-LAYOUT				MYERS MIXERS, LLC	
CONTRACT NO				8376 SALT LAKE AVENUE BELL, CALIFORNIA - Phone (323)560-4723	
DRAWN 06/22/15 BM		BLADE LAYOUT			
CHECK					
APPR.		SIZE FSCM NO DWG NO REV			
ISSUED		A - - A-BLADE LAYOUT			
PRINT		SCALE 1'0"=1'0" WEIGHT SHEET			
CUSTOMER					