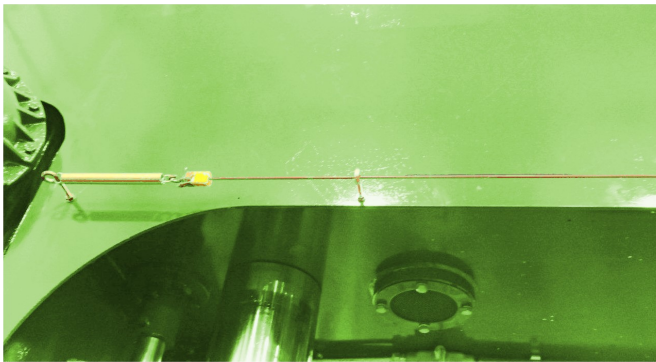


EMERGENCY PULL CABLE

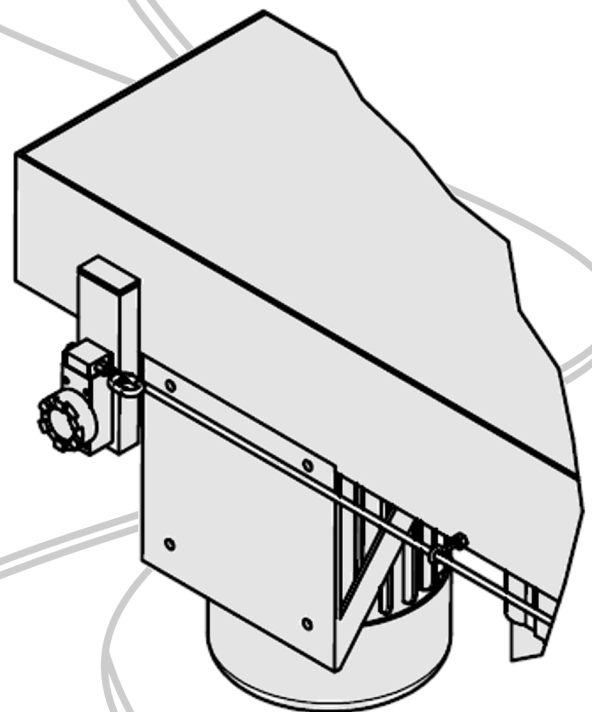
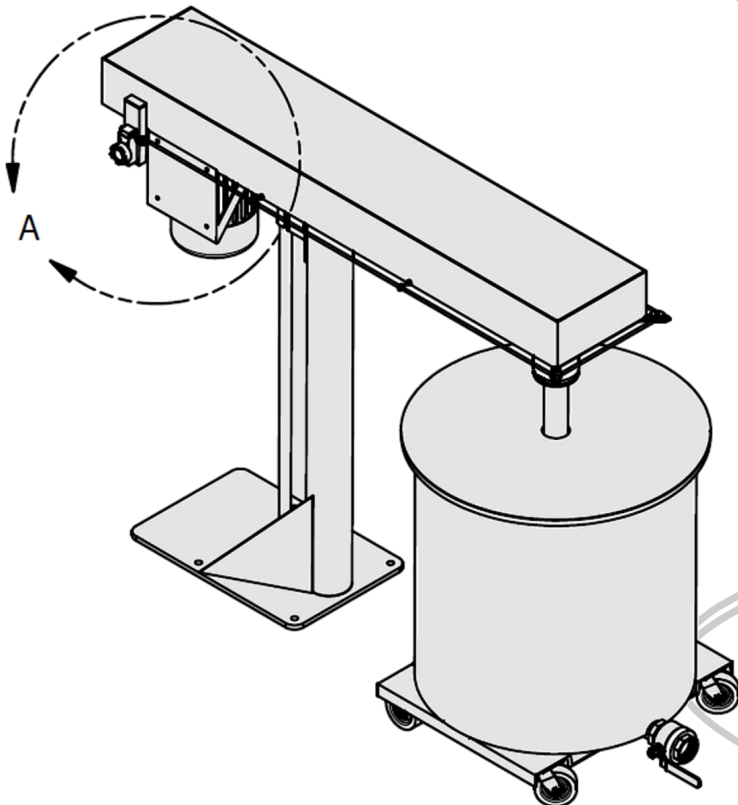


An Emergency Pull Cable allows anyone to safely and quickly shut off any mixer from any side.



Simply pull the wire to activate the emergency shut off button, from any location, and immediately halt dispersion.

Let your safety values show by investing in emergency pull cables for all operational mixers and dispersers.



DETAIL A